

ADR 2007-compliant, Man Hole Covers Made from ductile material for all “unpressurized tanks”



Fig.: DO 500 B 250 / 2A
ESR 500/640
Rain cover hinged

Fill hole cover also with integrated Emergency Pressure Relief Valve according EN 14596



II 2G cT3



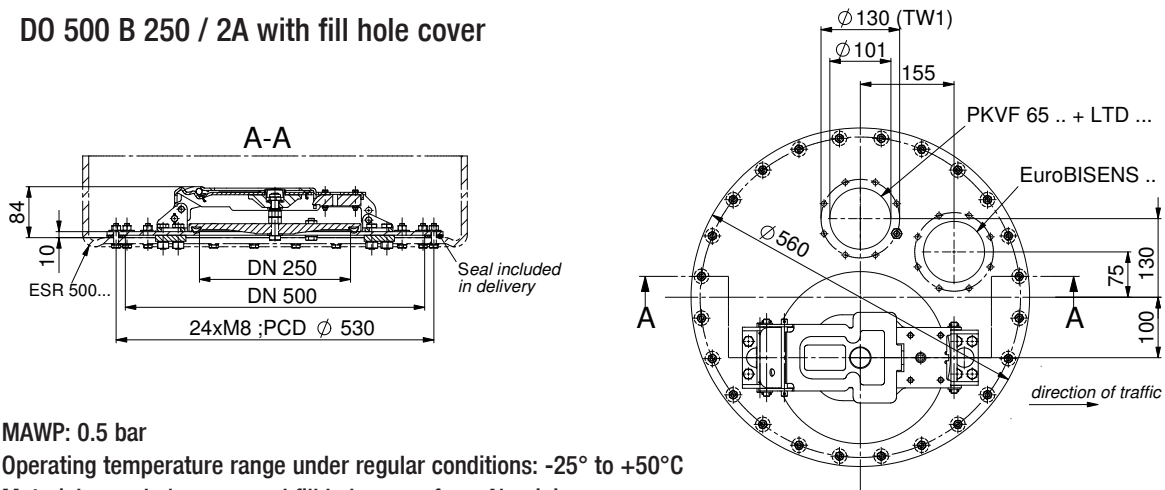
- Access opening 500 mm conforming to standard
- Low construction height, applicable for countersunk Installation, no limitation of chassis construction
- High strength - fill hole cover construction thru ductile material
- Nominal pressure 0.5 bar
- EC - Declaration of Conformity
- Two- stage opening of the fill hole cover to ensure pressure relief before complete opening
- Low weight for higher payload, material used for fill hole cover and base plate

DO 500 B... / ESR

Man Hole Cover / Weld In Ring

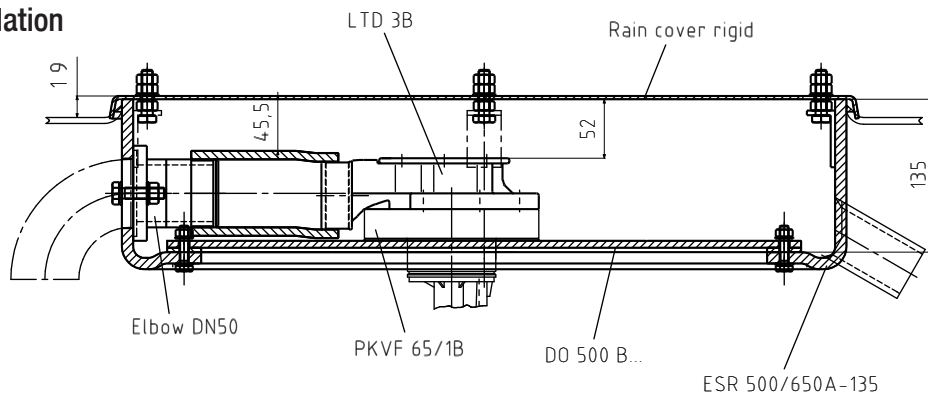


DO 500 B 250 / 2A with fill hole cover



MAWP: 0.5 bar
 Operating temperature range under regular conditions: -25° to +50°C
 Material: man hole cover and fill hole cover from Aluminium
 Compliant with ADR Annex A, Chapter 6.8, EN 13317, EN 13314, EN 13094-2004, 5.2
 Weight: 9.0 kg

Example of installation



Man hole cover:

with fill hole cover:

2291435 DO 500 B 250/2AD	2x TW1+Dip stick
2280753 DO 500 B 250/2A	2x TW1
2282440 DO 500 B 250	without opening

without fill hole cover:

2282454 DO 500 B /2A	2x TW1
2282461 DO 500 B	without opening

with fill hole cover and Emergency Pressure Relief Valve:

2280725 DO 500 B 250-315 /2A	2x TW1
2282447 DO 500 B 250-315	without opening

Weld-in rings:

2177621 ESR H=115 mm
2177614 ESR H=135 mm
2177600 ESR H=145 mm
2177593 ESR H=155 mm, no side drilling for non-countersunk installation

Accessories:

2194183 Rain cover hinged
2184579 Rain cover rigid (without screws)
2183620 Elbow DN 50
2183641 Seal for elbow