

# MultiPID

Multiple Product Identification Device



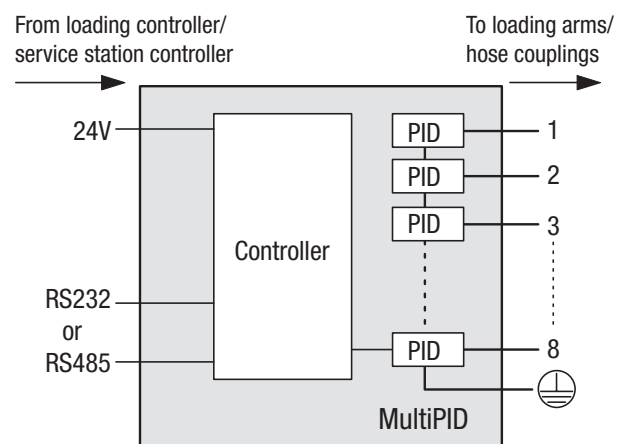
Alfons Haar

## For data transfer between depot and tank truck or tank truck and service station

Product identification device with digital interface for bi-directional communication according to DIN EN 14116

- Tank truck code
- Compartment code
- Depot code
- Gantry Code
- Loading arm code
- Delivered volume in liter
- Product code, among other data

- MultiPID (**M**ultiple **P**roduct **I**dentification **D**evice) implements 8 freely configurable PIDs
- Enables bi-directional communication between depot loading controller and tank truck or service station controller and tank truck.
- Optional stand-alone operation, setup of PID configurations via PC/Laptop



CE 0044

IBExU 08 ATEX 1053

Ex II 2 (1) G Ex e mb [ia] IIB T4

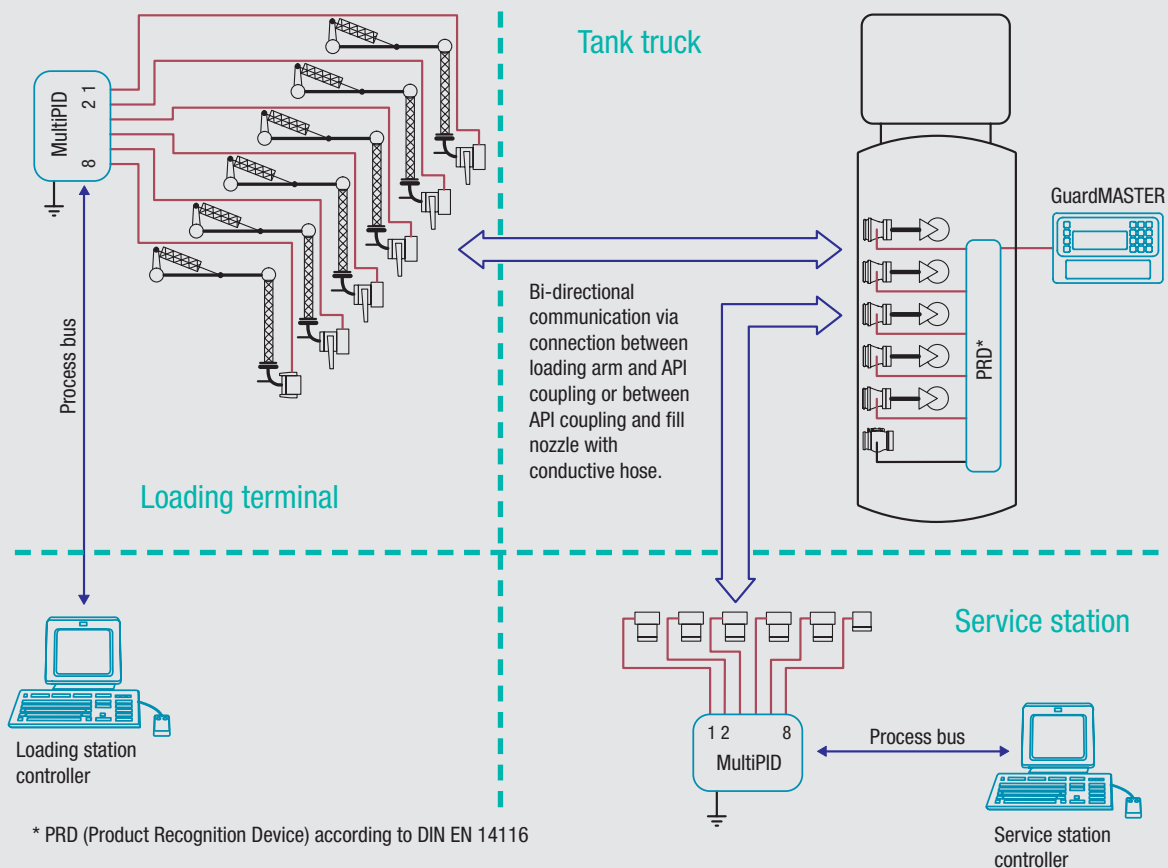
# MultiPID

## Multiple Product Identification Device



### SCHEMATIC DIAGRAM

Digital interface for the product identification system according to DIN EN 14116



### TECHNICAL DATA

Voltage supply:	24 V DC
Protection class:	IP 66
Temperature range:	-25° C to 60° C (-13F to 140F)
Dimensions:	WxHxD 170 x 200 x 90mm
Interface:	MODBUS (RS232/RS485) Other interfaces upon request