

KÜR1

Combined pressure relief and check valve for V_{max1}



Alfons Haar

The 2-in-1 Safety valve !



Ex II 3GD T2 CE

Advantages using KÜR1:

- The surge suppressing feature of the KÜR1 non return valve prevents slamming of the valve disk. Changing delivery conditions do not cause disk thrashing.
- This feature extends life by reducing wear!
- The pressure relief valve is designed with the same feature for long life and low life cycle cost.
- Fit the KÜR1 direct to the discharge port of V_{max1} and you will save pipe work, additional welding, bolts and nuts.
- Check- and relief valve have seals made of silicon.
- Three flanged outlets make the KÜR1 extremely flexibel and save additional piping fittings.

KÜR1

Combined pressure relief and check valve for V_{max1}

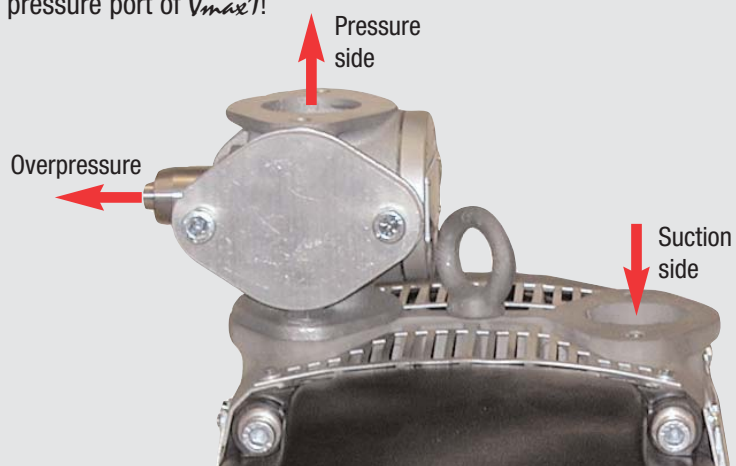
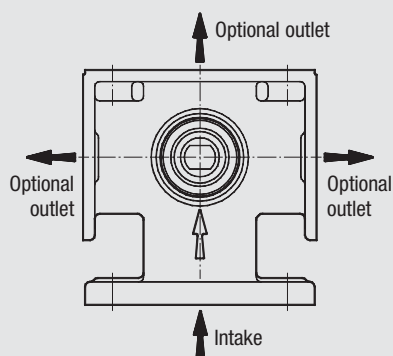


Alfons Haar

The KÜR1 (part no. 2114915) was developed to protect V_{max1} against excessive pressure (>2.5 bar g.), product return and reverse rotation. It does not replace any other required tank valve!

Fitting:

Avoid hot air flowing over the surface of the V_{max1} or the suction pipe work!
AH recommends fitting KÜR direct on the pressure port of V_{max1} !



Technical data:

Pressure	fixed at 2.5 bar g.	Weight	approx. 1.9 kg
Flow rate	140 m ³ /h (at 2.5 bar g.)		
Temperature	max. 250°C		

Dimensions:

