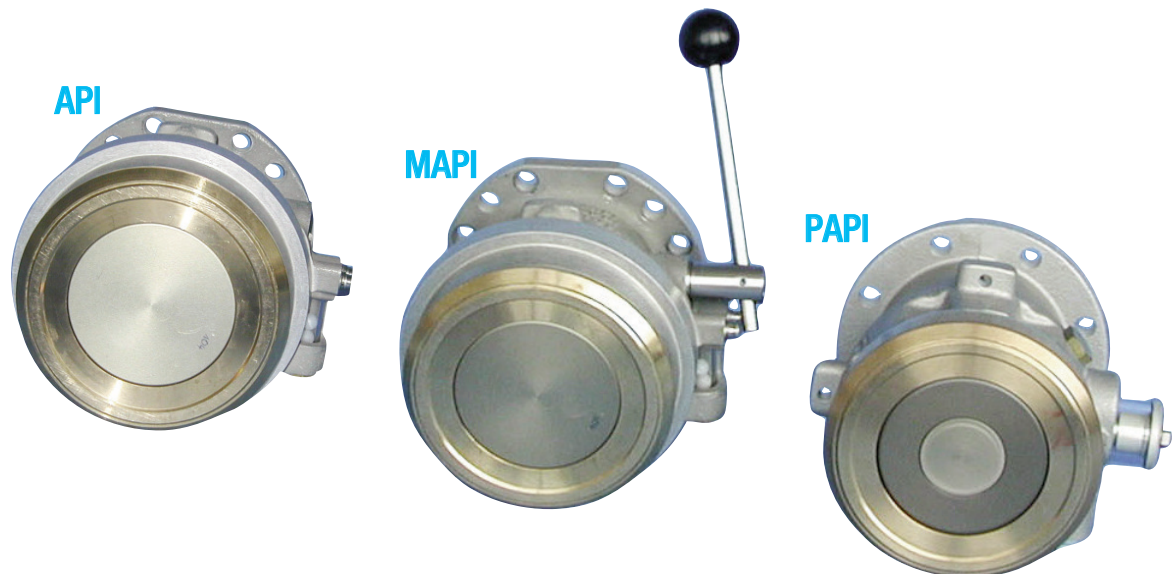


## According to ADR / EN 13083, EN 13315



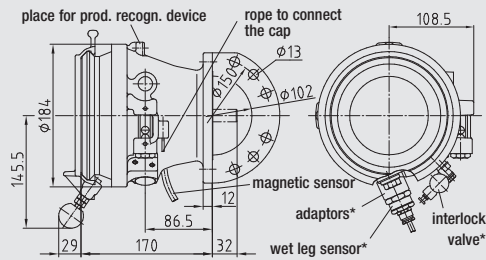
### All couplings:

- Nominal pressure 10 bar (tested up to 80 bar)
- Short construction length, TW3-flange or TTMA fixture!
- Low pressure loss for higher delivery rates
- Exchangeable flange ring
  - Bronze for best duration and highest conductivity as standard
  - Stainless steel for aircraft refuelling
- Pressure proved sight glass up to 50 bar!
- Optional for wet leg sensor
- Optional integrated magnetic sensor (type ...OM) for recording of opening state (open/close)
  - applicable for **Sealed Parcel Delivery System (SPDS)** :
  - valve head closes the coupling liquid-tight until electronic sensor has acknowledged opening
- closing cap CAPI pressure tight with safety lock to ADR 2007
- TÜV-certified, component label: TÜ.AGG.342-01, TÜ.AGG.234-95, TÜ.AGG.232-95, TÜ.AGG.154-92 for application according to ADR B1A, ADR 2001, chapter 6.8

# Loading and Discharge Couplings for bottom loading



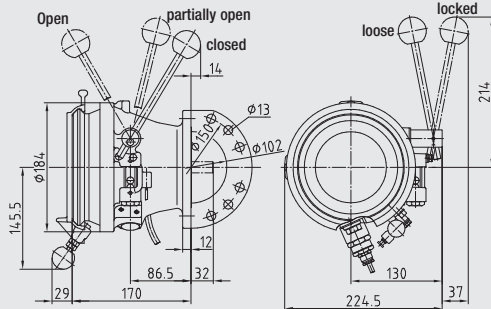
## API coupling acc. to EN 13083



Example variants with closing cap:	part no.
<b>API 100 E1-O+C</b> without sight glass	1715530
<b>API 100 E1-S+C</b> with sight glass	1715549
<b>API 100 E1-OL+C</b> w.o. sight glass, w. drilling for LMS	2128766
<b>API 100 E1-SI+C</b> w. sight glass, w. position indicator	1728748
<b>API 100 E1A-O+C</b> w.o. sight glass for aircraft refuelling	1715557
<b>API 100 E1A-S+C</b> w. sight glass for aircraft refuelling	1715565
<b>API 100 E1-OD+C</b> w.o. sight glass, for prod. bracket and wet leg sensor	1715573
<b>API 100 E1-OM+C</b> w.o. sight glass, w. magnetic sensor for SPDS and drilling for LMS	1715522

TÜ.AGG.342-01 weight (w.o. cap): approx. 4.5 kg

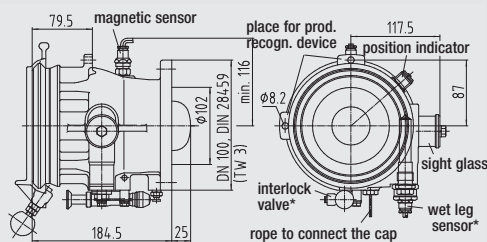
## MAPI Loading and discharge coupling, acc. to EN 13083 with lever as position indicator



Example variants with closing cap:	part no.
<b>MAPI 100 B1-O+C</b> without sight glass	1715581
<b>MAPI 100 B1-S+C</b> with sight glass	1715590
<b>MAPI 100 B1-SL+C</b> with sight glass, w. drilling for LMS	2100485
<b>MAPI 100 B1A-O+C</b> w.o. sight glass for aircraft refuelling	1715603
<b>MAPI 100 B1A-S+C</b> w. sight glass for aircraft refuelling	1715913
<b>MAPI 100 B1-OM+C</b> w.o. sight glass, w. magnetic sensor for SPDS and drilling for LMS	1715921

TÜ.AGG.342-01 weight (w.o. cap): approx. 4.9 kg

## PAPI Loading and discharge coupling, acc. to EN 13083 with pneumatic actuator for AS



Example variants without closing cap:	part no.
<b>PAPI 100 B1</b> w. sight glass, w. drilling for LMS	1339946
<b>PAPI 100 B1 SA</b> w. sight glass, w. position indicator and drilling for LMS	1354228
<b>PAPI 100 B1 MA</b> w. sight glass, w. magnetic sensor for SPDS and drilling for LMS	1373400

TÜ.AGG.234-95 weight approx.: ca. 5.0 kg

\* Accessories (versions without closing cap on request)

## Accessories:

Accessories:		part no.
<b>CAPI B1</b>	Pressure tight closing cap up to 0.25 bar, one hand operation with pressure compensation before disconnecting	1374610
<b>APIA 100 B1</b>	Discharge adaptor acc. to EN 13315 for MAPI... and PAPI..., ... thread R3"	1668176
<b>PMWV 3/2 D1</b>	Interlock valve for actuation thru the coupling	1370630
	Suitable fitting ( necessary for API... and MAPI...)	1700584
<b>Sensor product recogn.</b>	Reads the magnetic code of the loading coupling, for API 100 E1-OD u. PAPI 100 B1	1609200
<b>LMS 1D</b>	Wet leg sensor for loading and discharge coupling with drilling for wet leg sensor necessary thread adaptors L = 14 (1338060) and L = 28 (1338079)	2168815
<b>SG 100 A1-4TW</b>	Welding flange Pipe sight glass, PN 10, suitable for API 100 E1... and MAPI 100 B1...	1633224
<b>Welding flange</b>	Material Aluminium weldable, DN 100, for API, MAPI and PAPI	1141690